

WELCOME TO **HAVEN**TM

spotlight solar[®]





HAVEN IS A SHELTER IN THE SUN
AND A BREAK FROM THE INDOORS



It's for togetherness...or distance. At the office or on campus. At the park, soccer field, or concert.

Find abundant solar energy for phones and laptops. Or speakers, or scooters. Batteries keep you powered for days... and nights, with Haven's elegant lighting.

Haven is designed to be flexible. Opt for a standing-height table or a large seating area. Add internet access or e-bike charging. Signs and digital content deliver your clean energy message.

ENJOY **MORE** OUTDOORS

People want to be outside, whether they're working, eating or hanging out. So, they need space, shade, and shelter. And they need power.

SHADE AND COMFORT

Haven offers a large canopy over a generous table of premium material that stays cool. Seating is solid ash wood, thermally enhanced for a long life.

SOLAR ENERGY AT THE READY

Bi-facial solar panels power 20 places to charge up, along with tasteful LED lighting. For cloudy weather, there's battery backup for three days.

CLEAN ENERGY STATEMENT

Haven makes solar power beautiful and encourages care for the environment. It uses recycled and natural materials. Available branding, signs, and digital content amplify your message.



DISTINCTIVE FEATURES



20 CHARGE POINTS

- 4 wireless
- 4 USB A, 4 USB C
- 8 120V outlets

NETWORK ACCESS AND REMOTE MANAGEMENT

- Add wifi, hot spot, or sensors
- Online monitoring
- Scheduling for lighting and power outlets on/off times

ELEGANT LED LIGHTING

- Simple programming
- Warm LED light, 3000K color
- Adjustable brightness

SIGNAGE

- Upper position for brand sponsorship
- Lower positions for user engagement

LARGE SOLAR CANOPY

- 118 square feet of shade and rain cover
- Frameless, bi-facial solar panels, 1.6 kW solar capacity
- Withstands Category 5 hurricanes
- Lithium batteries for 3-day backup and fast recharge

GENEROUS TABLE AND SEATING

- Solid countertop material is durable and stays cool
- Ash wood, thermally-modified for long life
- Seating for eight, no center pole obstruction
- Wheelchair access with optional space between seats

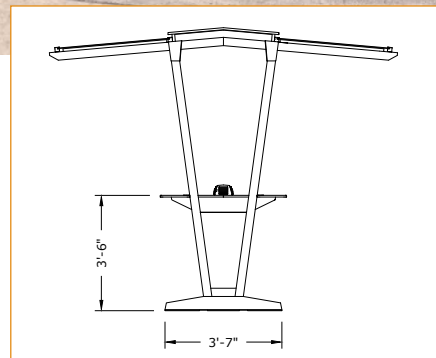


CONFIGURATION ALTERNATIVES



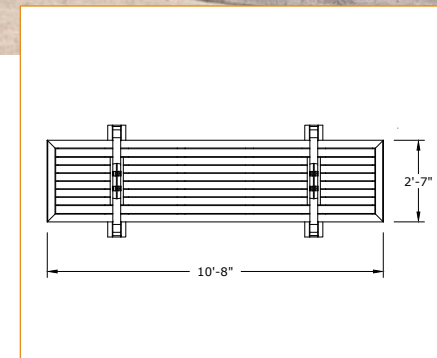
STANDING HEIGHT TABLE

shown with small sign option



LARGE BENCH SEATING

shown with large sign option



AVAILABLE ACCESSORIES AND CONFIGURATIONS

- Standing height table
- Large bench, seating only
- Split bench seating for wheelchair access
- Integrated LED lighting with increased battery capacity
- E-bike, scooter charging, and locking bracket
- Small or large signs
- Custom paint and table colors
- Winter Kit
- Remote Management Kit

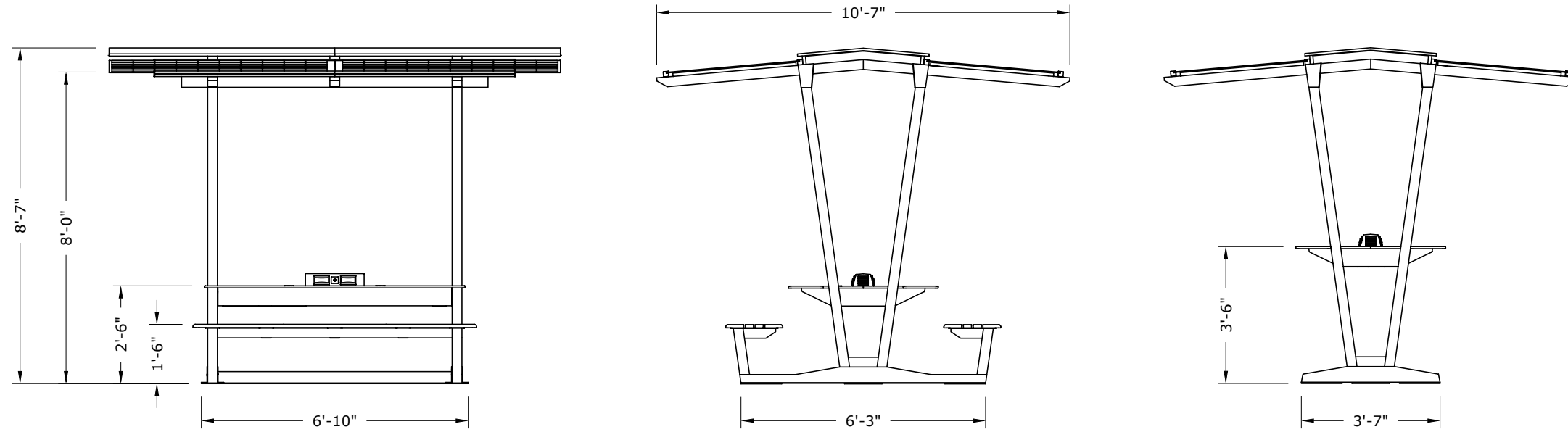


HAVEN

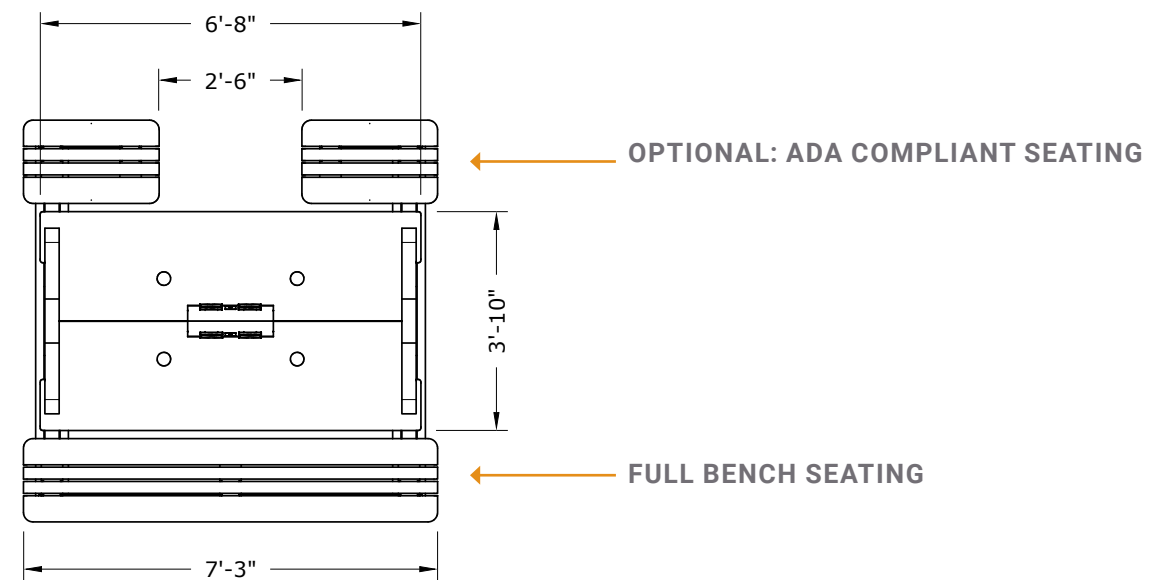
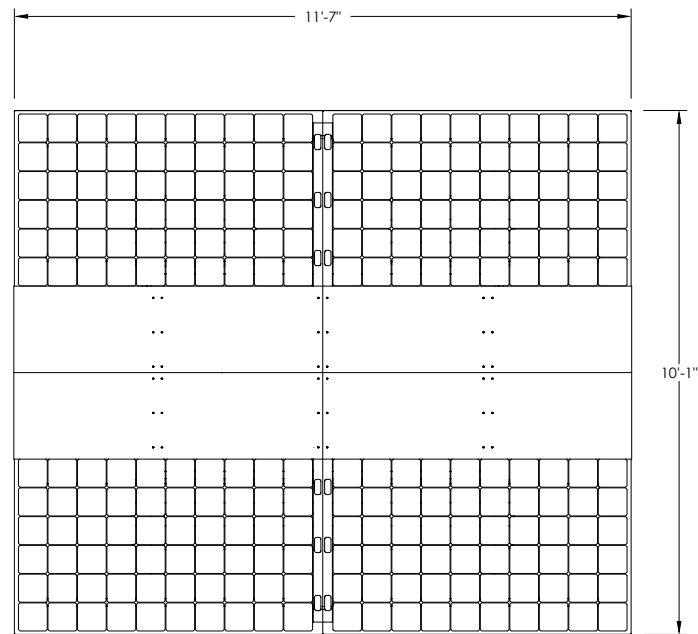
SPECIFICATIONS



DIMENSIONS



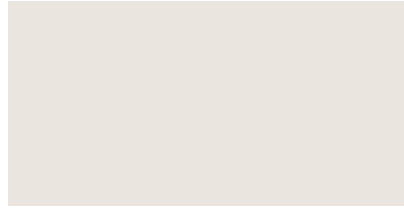
*Dimensions of solar panels subject to slight changes based on manufacturer updates and availability.



STANDARD COLORS AND MATERIALS



MAIN STRUCTURE
Warm Gray on aluminum



ROOF AND SUPPORTS
Gray White on aluminum

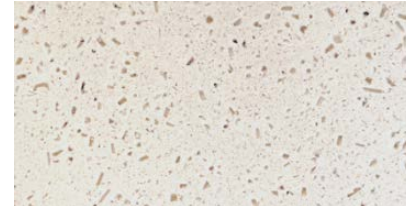


TABLE
Seashell
Recycled solid surface acrylic



BENCHES
Thermally modified ash wood

*Customization of colors available.

POWER SPECIFICATIONS

Haven is designed to support multiple users and devices, with three days of clean energy reserves in case of cloudy weather. Lithium batteries are used for long life and high performance in a range of temperatures.

	WITHOUT LIGHTING	WITH LED LIGHTING – 2,000 LUMENS
LITHIUM BATTERY CAPACITY	1.5 kWh (1.4 kWh usable*)	2 kWh (1.8 kWh usable*)
DEPTH OF DISCHARGE	*90% (lithium's full capacity is available vs. AGM's 50%)	
LITHIUM BATTERY LIFETIME	15 years (3 times more than AGM)	
SOLAR CAPACITY	1.6kW including 20% bifacial bonus	
MAX CONTINUOUS LOAD, AC OUTLETS	650W @75° F	
POWER OUTLETS	4 wireless, 8 120VAC, 4 USB A, 4 USB C (PD) (owner can opt out of 120V outlets)	
3-DAY ENERGY RESERVES (EACH DAY)	8 phones charged AND 8 hours of laptop charging	8 phones charged AND 8 hours of laptop charging AND 6 hours of lighting

** capacity of solar panels based on manufacturer projections, actual to be no more than 10% different; no user experience impact

OTHER SPECIFICATIONS

STRUCTURE AND ROOF	Aluminum (corrosion resistant)
STRENGTH	Wind up to 175 MPH, snow 90 PSF
COATING	Super durable powder coat, rated AAMA 2604
BENCHES	Thermally modified solid ash wood (20+ years)
SEATING	Up to 8 people; wheelchair option in center
TABLE	Recycled solid surface acrylic
WEIGHT	1,035 lbs
MADE IN USA	Meets requirements under Inflation Reduction Act



WARRANTY

BATTERIES	6 years
ELECTRONICS	5 years
WORKMANSHIP	10 years
MATERIALS	5 years
COATING	3 years
SOLAR PANELS	30 years production / 10 years workmanship

OTHER INFORMATION

PACKAGING AND HANDLING: Ships in fully contained wooden crates. A forklift or loading dock is required to unload the truck. To move components to installation location, crates can be unpacked and contents carried by two people.

INSTALLATION can be accomplished by three people with mechanical skill, with proper preparation and tools, in half a day.

MAINTENANCE required is minimal, including cleaning of surfaces, and annual sealing of wood benches. Eventually, batteries may need replacement, but not for 15 years or more.

GENEROUS COST RECOVERIES: The Inflation Reduction Act has greatly reduced the cost of solar and battery storage systems. Both taxable and tax-exempt organizations can qualify for 40% or more recoveries of project costs. Please inquire with Spotlight Solar and your tax professional about whether your purchase may qualify for these benefits.

Certified



SPOTLIGHT SOLAR IS UP TO SOMETHING GOOD.

Spotlight Solar is dedicated to making solar energy visible and attractive. Our ambition is to promote the adoption of solar energy by making it more visible and engaging.

UPDATED 2.1.2024



VISIT [SPOTLIGHTSOLAR.COM](https://spotlightsolar.com)
OR EMAIL [INFO@SPOTLIGHTSOLAR.COM](mailto:info@spotlightsolar.com)

spotlight solar®

