

HAVEN™ solar shelter



People want to be outside, whether they're working, eating or hanging out. So, they need space, shade, and comfort. And they need power.

Haven provides solar energy for phones, laptops, and anything else. Batteries keep you powered for days... and nights, with beautiful lighting.



SOLAR POWERED SHADE SHELTER

- 118 square feet of shade and rain cover
- Frameless, bi-facial solar panels
- 20 places to charge – wireless, USB, 120V
- Lithium battery – 3-day backup, fast recharge

ROBUST PREMIUM MATERIALS

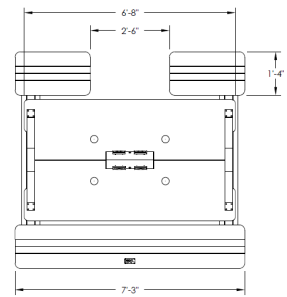
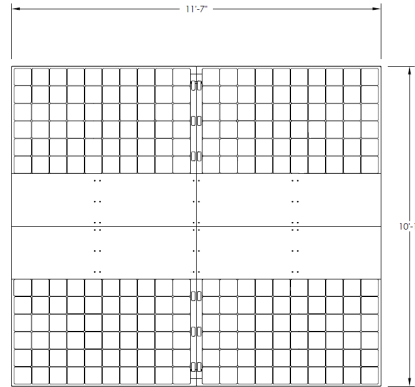
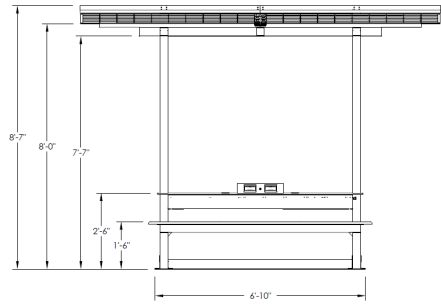
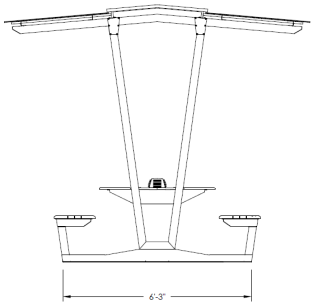
- All aluminum and marine grade
- Recycled solid surface tabletop
- Thermally-modified wood, US grown
- Category 5 hurricane wind

GENEROUS TABLE AND SEATING

- Seating for eight – no center pole obstruction
- Wheelchair access with space between seats
- Bench and table materials stay cool
- Beautifully integrated LED lighting

FLEXIBLE OPTIONS

- Small and large signs
- WiFi and sensors
- Resiliency upgrade
- LED lighting
- Remote Management software
- e-Bike charging
- Standing height table
- Seating-only version



Electrical System	
Solar panels	frameless 60 cell bifacial, European
Solar capacity	1.5kW plus bifacial bonus*
Lithium battery capacity	2 kWh (1.8 kWh usable**); or 1.5 kWh for Haven w/out lighting
Depth of discharge	**90% (lithium's full capacity is available vs. AGM's 50%)
Battery chemistry	Lithium-Iron-Phosphate (safest per FAA)
Lithium battery life	15 years (3X vs. AGM)
Max continuous load, AC outlets	650W @75° F
Power outlets	4 wireless, 8 120VAC, 4 USB A, 4 USB C (PD)
3-day energy reserves (each day)	8 phones charged AND 8 hours of laptop charging AND 6 hours of lighting

Warranty	
Batteries	6 years
Electronics*	5 years
Workmanship	10 years
Materials	5 years
Coating	3 years
Solar panels	30 yr production / 10 yr workmanship

GENEROUS COST RECOVERIES

The Inflation Reduction Act provides 40% reduction for both taxable and tax-exempt organizations. Contact Spotlight Solar to see how your project may qualify. **Made in America.**

Spotlight Solar's purpose is to promote the adoption of solar energy by making it visible, beautiful, and engaging.

